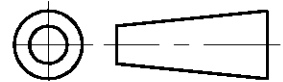


DO NOT SCALE

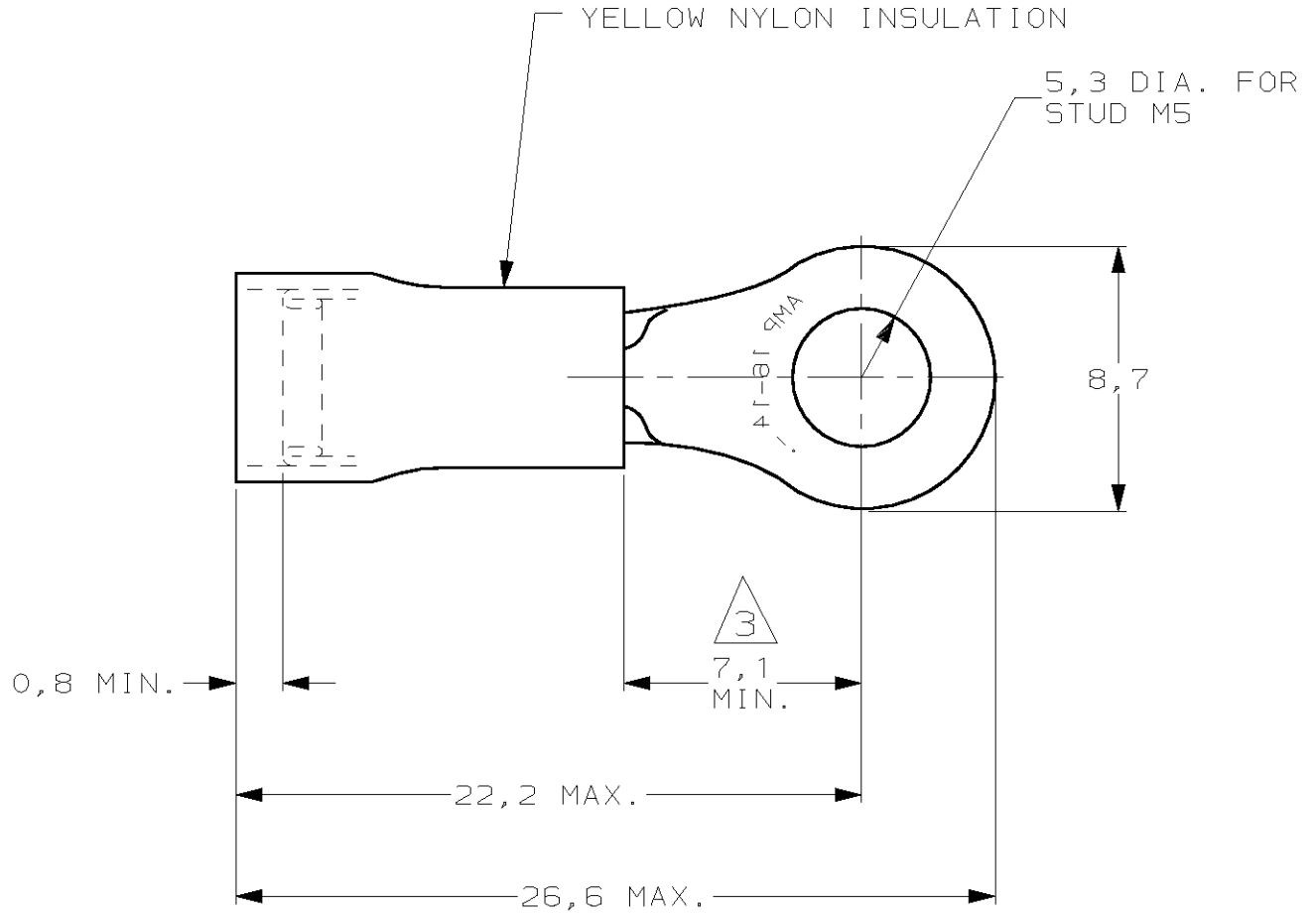
DIMENSIONS IN mm

METRIC

THIRD ANGLE
PROJECTION



WIRE RANGE :
1,0-2,6 mm²



1 TONGUE MATERIAL THICKNESS 1,2mm

2 WIRE INS. DIA IS 3.8-5.8

3 FROM EDGE OF METAL WIRE BBL TO CENTER OF STUD HOLE

TOL. ±0.2

| | | |
|------------------------|----------|------------|
| 160011 MOUNTED ON TAPE | | 2-160011-1 |
| TIN | COPPER | 160011 |
| FINISH | MATERIAL | PARTNUMBER |

| | | | | |
|------|-----------------|-----|------|---------|
| - | - | - | - | - |
| - | - | - | - | - |
| - | - | - | - | - |
| - | - | - | - | - |
| - | - | - | - | - |
| - | - | - | - | - |
| C | OG3A-0002-04 | JR | TM | 02MAR04 |
| LTR. | REVISION RECORD | DR. | CHK. | DATE |

CUSTOMER DRAWING FOR REFERENCE ONLY WILL NOT BE UPDATED

© COPYRIGHT 19- BY AMP HOLLAND B.V.
ALL INTERNATIONAL RIGHTS RESERVED. AMP PRODUCTS MAY BE COVERED BY U.S. AND FOREIGN AND/OR PATENTS PENDING.
THIS DRAWING IS UNPUBLISHED
RELEASED FOR PUBLICATION _____, 19____

AMP | AMP HOLLAND B.V.
's-Hertogenbosch,
The Netherlands.

NAME
PIDG RINGTONGUE

| | | | | | | |
|------------------|-----------------|------------------|----------------|------------|--------------|-----------|
| DR. : J.v.LIEMPT | CHK. : A.BIJNEN | APP. : M.v.DRIEL | DWG.No. 160011 | REV.LTR. C | SHEET 1 OF 1 | A4 |
| DATE: 30 JAN 97 | DATE: - | DATE: - | | | | |